

CSA, ULI

RIGID PVC CONDUIT FITTINGS - KRALOY

JB552 JUNCTION BOXES

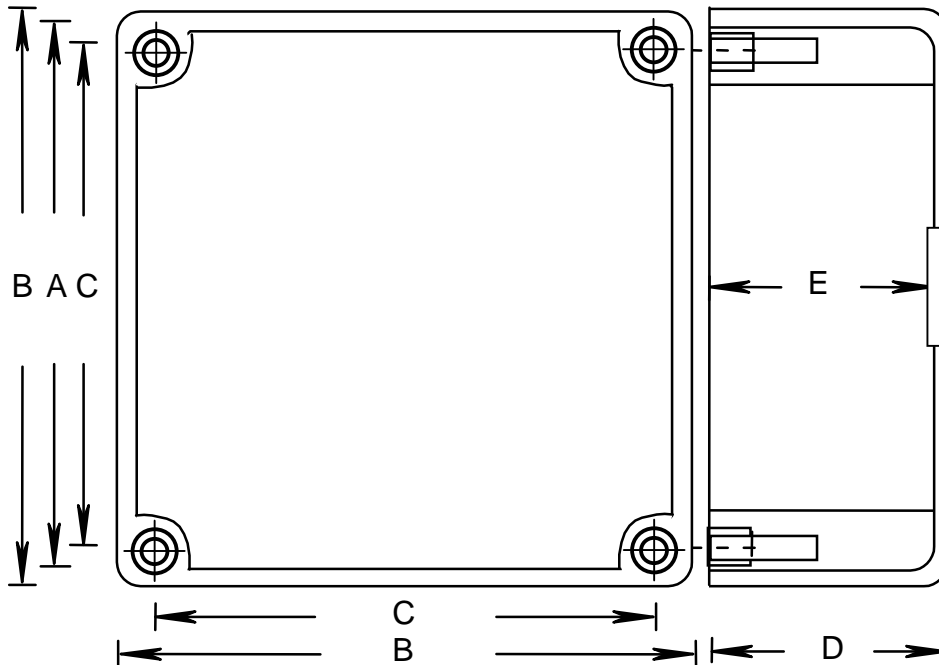
ISSUE DATE:

DATE D'EMISSION: 2002 06 20

SUPERCEDES:

REPLACE: 2001 07 20

2



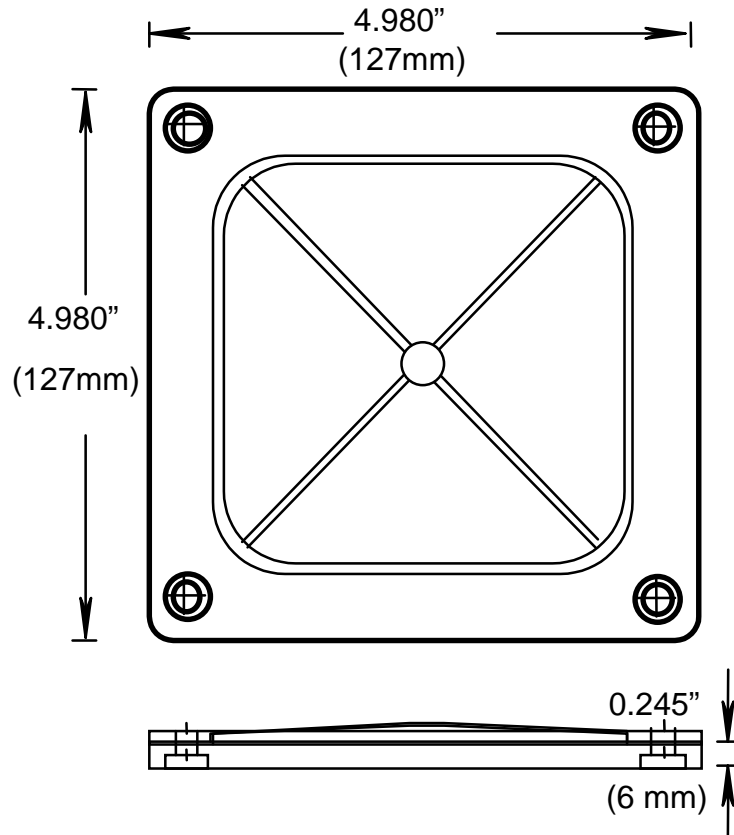
PRODUCT CODE	PART NUMBER	NOMINAL SIZE		A		B		C	
		(in)	(mm)	(in)	(mm)	(in)	(mm)	(in)	(mm)
078245	JB 552	5	129	4.680	119	5.000	127	4.485	114

PRODUCT CODE	PART NUMBER	NOMINAL SIZE		D		E	
		(in)	(mm)	(in)	(mm)	(in)	(mm)
078245	JB 552	5	129	2.160	55	2.000	51

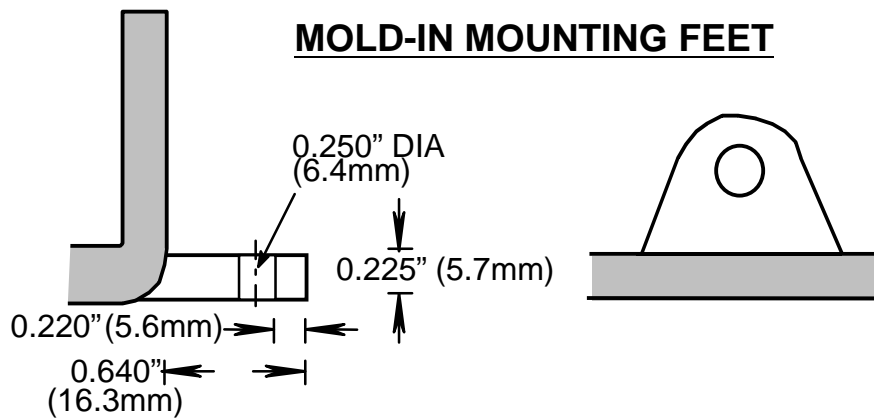
PRODUCT CODE	PART NUMBER	NOMINAL SIZE		GASKET CODE	INSERT CODE	SCREW CODE	VOLUME	
		(in)	(mm)				(cu. in)	(cu. cm)
078245	JB 552	5	129	097733	072538(4)	072522 (6)	40.0	656.0

Molded with Mounting Feet

COVER DIMENSIONS



MOLD-IN MOUNTING FEET



Filename: KRALOY-26.doc
Directory: \\Bersrvbdc\bergen\QC MANUAL
Template: C:\Documents and Settings\joelau\Application
Data\Microsoft\Templates\Normal.dot
Title: SOCKET DIMENSION
Subject:
Author: joe lau
Keywords:
Comments:
Creation Date: 1/2/2001 10:52 AM
Change Number: 6
Last Saved On: 6/21/2002 3:04 PM
Last Saved By: Joe Lau
Total Editing Time: 3 Minutes
Last Printed On: 8/8/2005 12:34 PM
As of Last Complete Printing
Number of Pages: 2
Number of Words: 76 (approx.)
Number of Characters: 438 (approx.)