



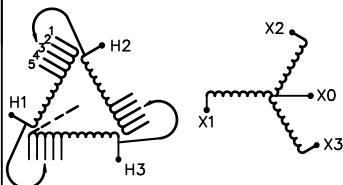
MONTERREY, MX GUELPH, ONT. BARABOO, WI COMPTON, CA

HPS EXPRESS™ L
 TRANSFORMADOR TIPO SECO BARNIZADO
 VARNISHED DRY TYPE TRANSFORMER

Modelo Part Number: **EL1A0225MCAC**
 No. de Serie Serial Number: []

AT/HV	480V 271A	Ref. de Cliente Customer Reference	[]
NBAI BIL	-	Fase Phase	3
TERM.	H1 H2 H3	Tipo TYPE	K
		Enfriamiento Cooling	ANN
		kVA	225
		Incremento de Temp. Temp. Rise	150 °C
		Clase de Temp. Temp. Class	220 °C
		Frecuencia Frequency	60 Hz
		Impedancia % Impedance % @ 170 °C	4.6
		Tipo de Gabinete Encl. Type	3R
BT/LV	220Y/127V 590A	Masa Del Núcleo Y Devanados lbs/kg C&C Wt.	1200/545
NBAI BIL	-	Masa Total Total Wt. lbs/kg	1400/636
TERM.	X0 X1 X2 X3	Material de Conductores de Devanados Winding Material	AL

VOLTIOS VOLTS	CORRIENTE CURRENT AMPS	% VOLTAJE NOMINAL % RATED VOLTAGE	CONEXIÓN POR FASE CONNECTION
504	258	105	1
480	271	100	2
460	282	95.8	3
440	295	91.6	4
420	310	87.4	5



LOS ESPACIOS ENTRE CUALQUIER PANEL DEL GABINETE VENTILADO Y CUALQUIER PARED ADYACENTE DEBERA SER DE UN MINIMO DE 127 MM (5 IN)
 SPACINGS BETWEEN ANY VENTILATED ENCLOSURE PANEL AND ANY ADJACENT WALL SHALL BE A MINIMUM OF 127 MM (5 IN)
 TRANSFORMADOR REDUCTOR
 STEP DOWN TRANSFORMER

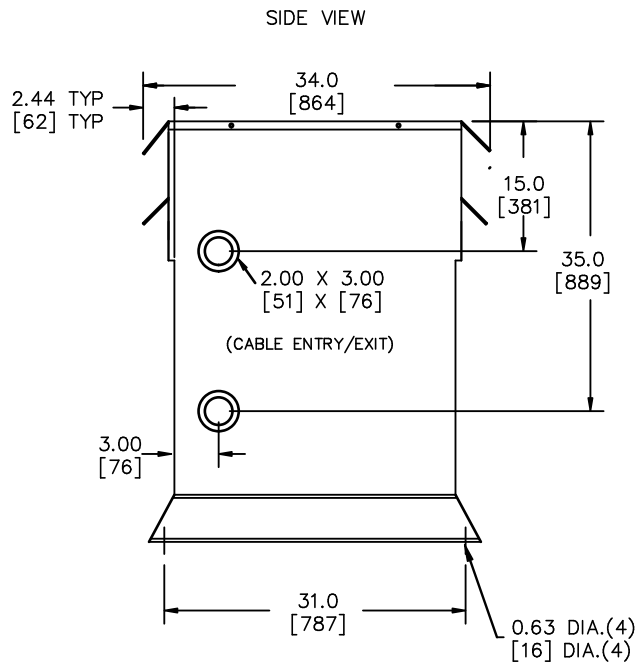
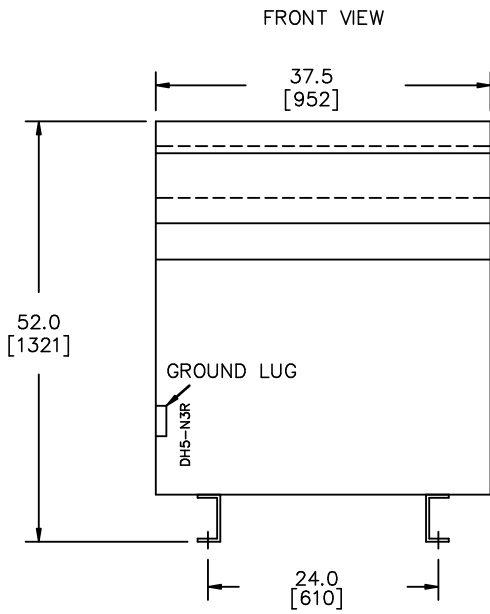
d00022.1sp

FABRICADO EN/MADE IN MEXICO



TITLE: 3PH DISTRIBUTION TRANSFORMER NAMEPLATE INFORMATION			
			DES: DCORTEZ
			DATE: 25/06/12
NO.	DATE	BY	REVISION
			SCALE: NTS

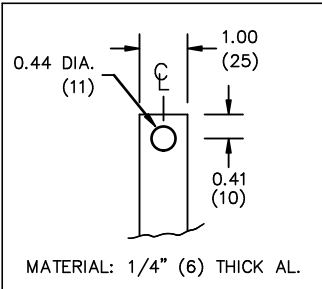
SHEET 1 OF 3
 EDBEL1A0225MCAC



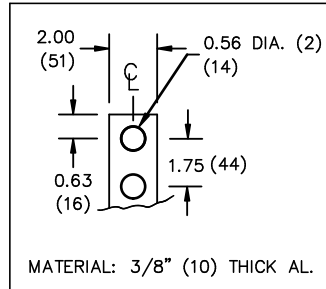
All Dimensions in inches[mm]

ENCLOSURE COLOR :ANSI 61 GREY – OUTDOOR

HV TERMINAL DETAIL



LV TERMINAL DETAIL



CUSTOMER NOTES:

- HV TERMINATED AT TOP FRONT
- LV TERMINATED AT BOTTOM FRONT



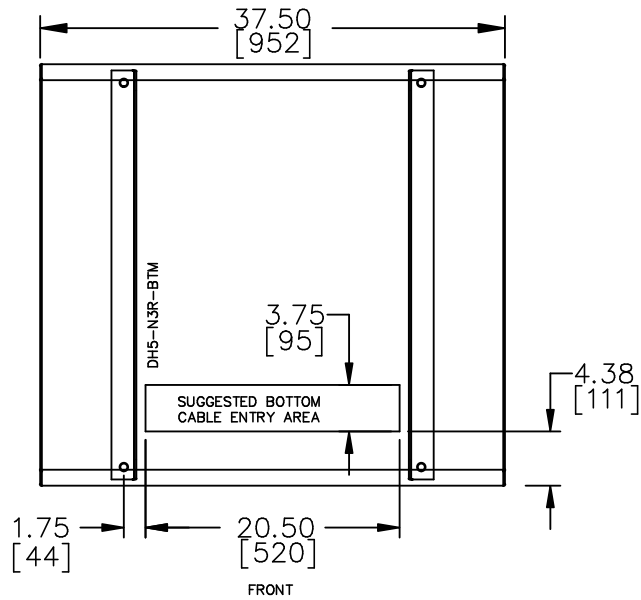
TITLE: 3PH DISTRIBUTION TRANSFORMER

				DES: DCORTEZ
				DATE: 25/06/12
NO.	DATE	BY	REVISION	SCALE: NTS

SHEET 2 OF 3

EDBEL1A025MGCAC

ENCLOSURE BOTTOM VIEW



NOTE:
 WHEN BOTTOM CABLE ENTRY IS OPTED, THE SPACE USED FOR CONDUITS IN THE FRONT OF THE TRANSFORMER SHOULD NOT OBSTRUCT MORE THAN 50% OF THE FRONT AIR INTAKE AREA DEFINED BETWEEN THE BOTTOM PLATE AND THE SUPPORTING LEGS.
 SEE MANUAL FOR ADDITIONAL INFORMATION



TITLE: 3PH DISTRIBUTION TRANSFORMER
ENCLOSURE BOTTOM VIEW

				DES: DCORTEZ
				DATE: 25/06/12
NO.	DATE	BY	REVISION	SCALE: NTS

SHEET 3 OF 3

EDBEL1A025MCAC